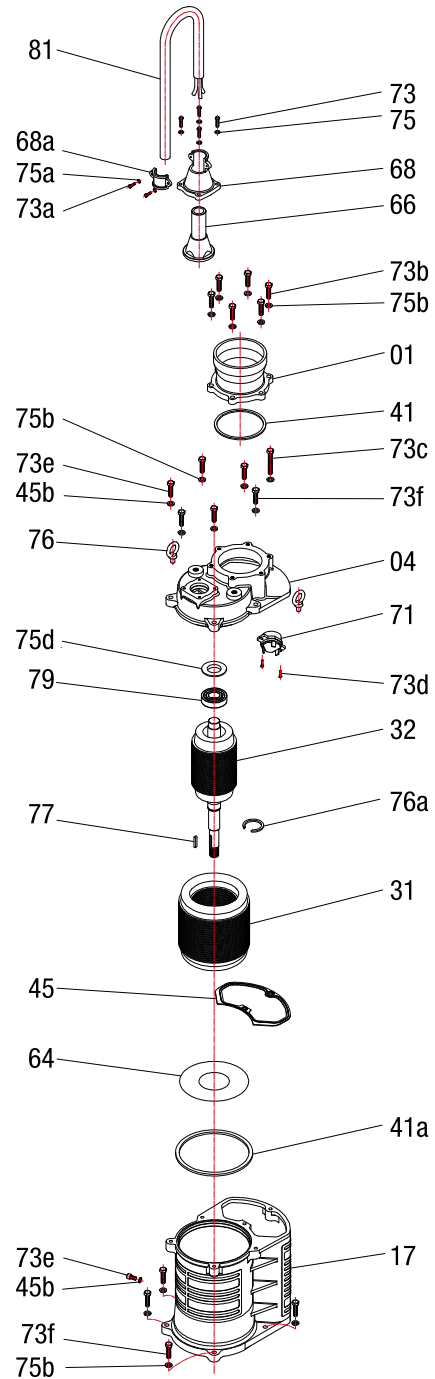
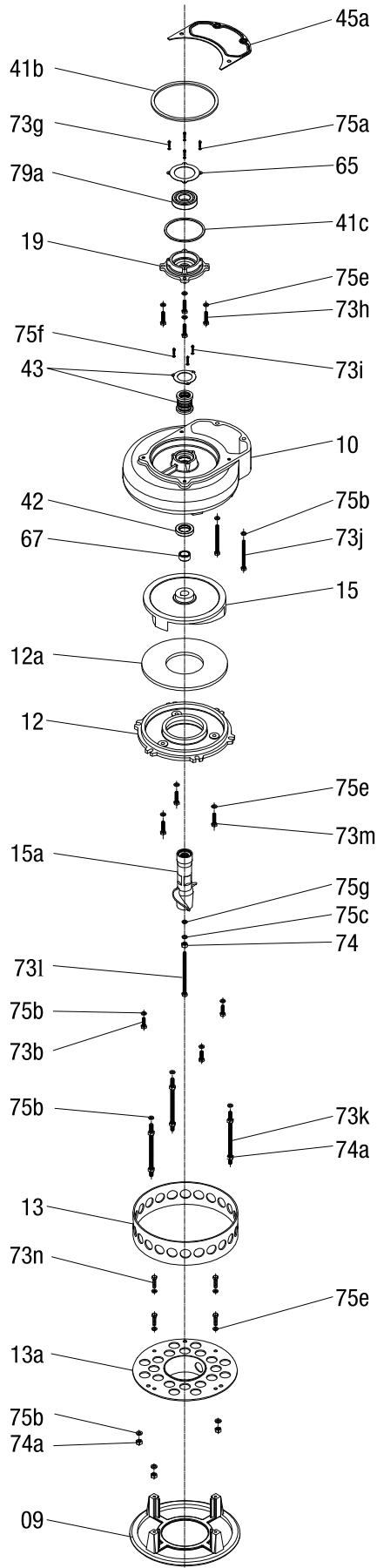


Type	A	B	C	D
TP 6150 LT	910	786	280	477



Index	Code NO	Description	Q'ty	Size	Material
01	01360952	Discharge head	1	6"	FC-20
04	0436FKR1500	Upper cover	1		FC-20
09	0935TP1500	Base plate	1		FCD-45
10	1036FKR1500	Pump casing	1		FC-20
12	1236FKR6150L	Inlet plate	1		FC-20
12a	1241FKR1500L	Wear plate	1		High Chrome Steel
13	1330TP6110	Strainer	1		SC
13a	1335TP1500	Strainer Center	1		FCD-45
15	1541FKR6150L275	Impeller	1	275*4*30	High Chrome Steel
15a	1541FKR1500	Agitator	1		High Chrome Steel
17	1736FKR1500-1	Motor frame	1		FC-20
19	1936FKR1500	Bearing bracket	1		FC-20
31	313440915F6	Stator	1	220*140*150L	
32	323FKR1500	Shaft/Rotor without Bearing	1		
41	411057-01	O'ring	1	5.7MM*145	N-70
41a	411035-08	O'ring	1	3.5MM*220	N-70
41b	411040-01	O'ring	1	4MM*240	N-70
41c	411026-08	O'ring	1	2.62MM*146	N-70
42	4214336-01	Oil seal	1	40MM*65*10	
43	432235	Mech.seal	1	Double 35 SIC/SIC/NBR VS CM/CB/	
45	452FKR150010	Gasket	1		N-70
45a	453FKR150010	Gasket	1		N-70
45b	459010	Gasket	2		N-70
64	64911218	Insulating sheet	1		
65	65308	Shim	1		SC
66	66715170	Cable gland	1	17MM	NBR
67	674340	Shaft sleeve	1	40MM*30*18T	SUS-304
68	68363	Gland Holder	1		FC-20
68a	68363A	Gland Holder	1		FC-20
71	7128-06	Thermal protector	1	KA-314 HLBL00	
73	73431080351	Screw	4	Flat hex. M8*35	SUS-304
73a	73431060201	Screw	2	Flat hex. M6*20	SUS-304
73b	73431120351	Screw	9	Flat hex. M12*35	SUS-304
73c	73431120701	Screw	1	Flat hex. M12*70	SUS-304
73d	73433040121	Screw	2	Cross M4*12	SUS-304
73e	73432100161	Screw	2	Socket hex. M10*16	SUS-304
73f	73431120501	Screw	9	Flat hex. M12*50	SUS-304
73g	73431060151	Screw	4	Flat hex. M6*15	SUS-304
73h	73431100251	Screw	4	Flat hex. M10*25	SUS-304
73i	73431050121	Screw	3	Flat hex. M5*12	SUS-304
73j	73431121301	Screw	2	Flat hex. M12*130	SUS-304
73k	73437121281	Screw	3	Twin head M12*128	SUS-304
73l	73431161731	Screw	1	Flat hex. M16*173	SUS-304
73m	73431100401	Screw	3	Flat hex. M10*40	SUS-304
73n	73431100351	Screw	4	Flat hex. M10*35	SUS-304
74	7414316	Nut	1	M16	SUS-304
74a	7414312	Nut	9	M12	SUS-304
75	753430008-01	Spring washer	4	M8	SUS-304
75a	753430006-01	Spring washer	6	M6	SUS-304
75b	753430012-01	Spring washer	27	M12	SUS-304
75c	753430016-01	Spring washer	1	M16	SUS-304
75d	751306307	Wave washer	2	6307	SC
75e	753430010-01	Spring washer	11	M10	SUS-304
75f	753430005-01	Spring washer	3	M5	SUS-304
75g	752430016-01	Washer	1	M17.5*38.1*3T	SUS-304
76	7607-05	Ring fastener	2	M16	SC
76a	7602-03	C'ing	1	STW-40	
77	772433-02	Key	1	7*7*40	SUS-304
79	79363071	Bearing	1	6307	
79a	79363081	Bearing	1	6308	
81	8108604200112	Cable	1	H07RN-F 6.0*4C*20M	
Remarks					
		O'ring & Gasket sets	1		