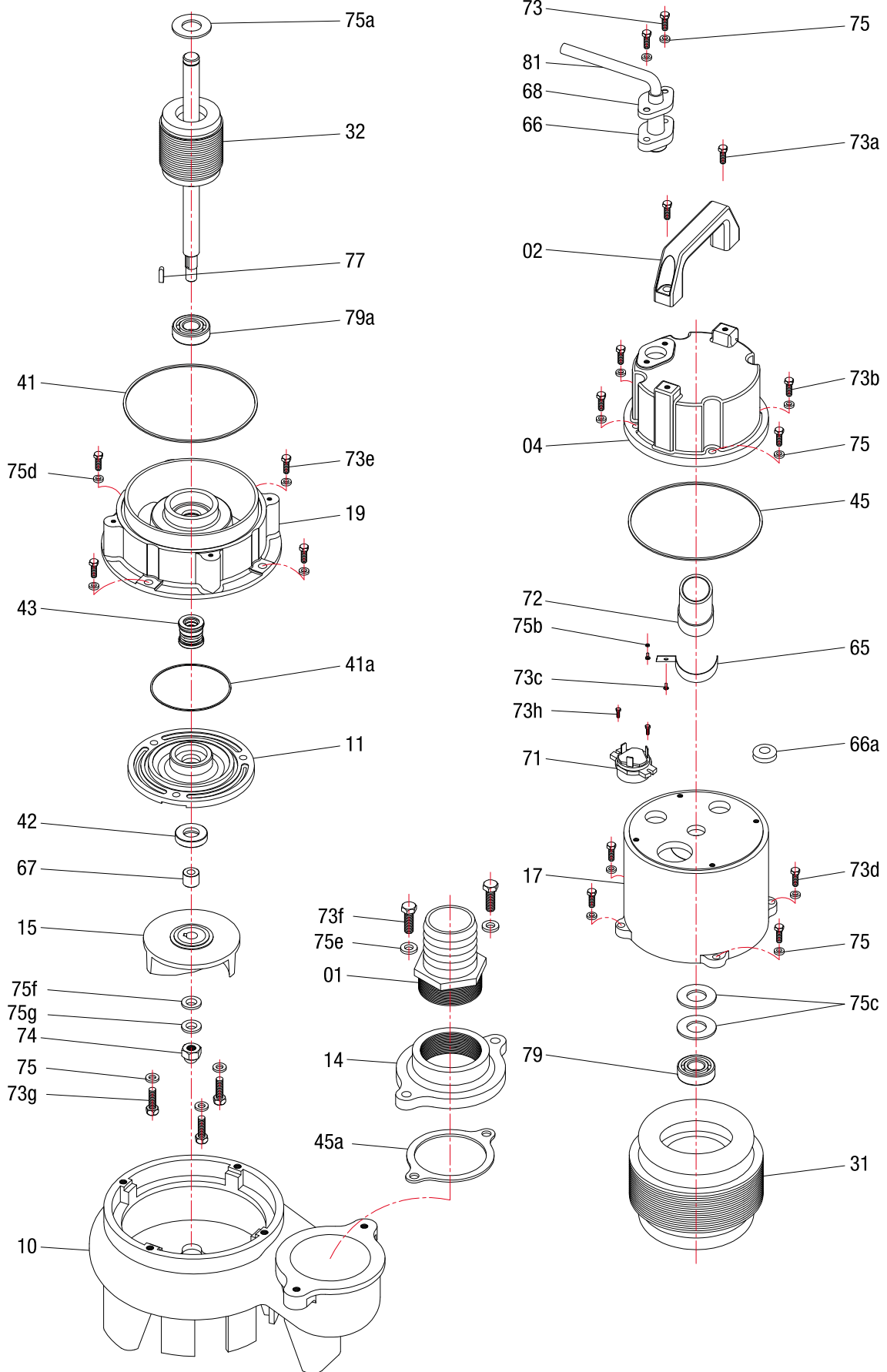


Type	A	B	C	D
LBC 75 S	430	300	166	300



Index	Code NO	Description	Q'ty	Size	Material
02	02012	Handle	1		Plastic
04	0436LB-0075	Upper cover	1		FC-20
10	1036LBK0150	Pump casing	1		FC-20
11	1136LB-0150	Seal bracket	1		FC-20
14	1436061B	Flange	1		FC-20
15	1536LBC0075100	Impeller	1		FC-20
17	1736125140	Motor frame	1		FC-20
19	1936LBK0075	Bearing bracket	1		FC-20
31	311240206F3-A	Stator	1	125*60*60L	
32	321LBK-0075	Shaft/Rotor without Bearing	1		
41	411026-01	O'ring	1	2.62MM*120.3	N-70
41a	411031-05	O'ring	1	3.1MM*80	N-70
42	4214316-01	Oil seal	1	16MM*30*7	
43	432214-5	Mech.seal	1	Double 14-5 CM/CB/NBR VS CM/CB	
45	452LB-004010	Gasket	1		N-70
45a	455LB-015010	Gasket	1		N-70
65	65312	Shim	1		
66	66715085	Cable gland	1	8.5MM	NBR
66a	66415150	Wire Gasket	1		NBR
67	674315-01	Shaft sleeve	1	15MM*11*10.5H	SUS-304
68	68431	Gland Holder	1		SUS-304
72	721400030	Capacitor	1		
73	73431050151	Screw	5	Flat hex.M5*16	SUS-304
73a	73433060201	Screw	2	Round crossM6*20	SUS-304
73b	73433050151	Screw	4	Round crossM5*15	SUS-304
73c	73303040081	Screw	2	Round crossM4*8	SC
73d	73432050251	Screw	4	Socket hex.M5*25	SUS-304
73e	73431060201	Screw	4	Flat hex.M6*20	SUS-304
73f	73431080251	Screw	2	Flat hex.M8*25	SUS-304
74	7414310	Nut	1	M10	SUS-304
75	753430005-01	Spring washer	13	M5	SUS-304
75a	752306202-02	Washer	1	M15*23*1T	SC
75b	757300004	Spring washer	1	M4	SC
75c	751306202	Wave washer	2	6202	SC
75d	753430006-01	Spring washer	4	M6	SUS-304
75e	752430008-01	Washer	2	M8*19*1.1T	SUS-304
75f	752430010-01	Washer	1	M10*22*1T	SUS-304
75g	753430010-01	Spring washer	1	M10	SUS-304
77	772431-01	Key	1	4*4*10	SUS-304
79	79362021	Bearing	1	6202	
79a	79362031	Bearing	1	6203	
81	81081031004142	Cable	1	H07RN-F 1.0*3C*10M	
Remarks					
		O'ring & Gasket sets	1		