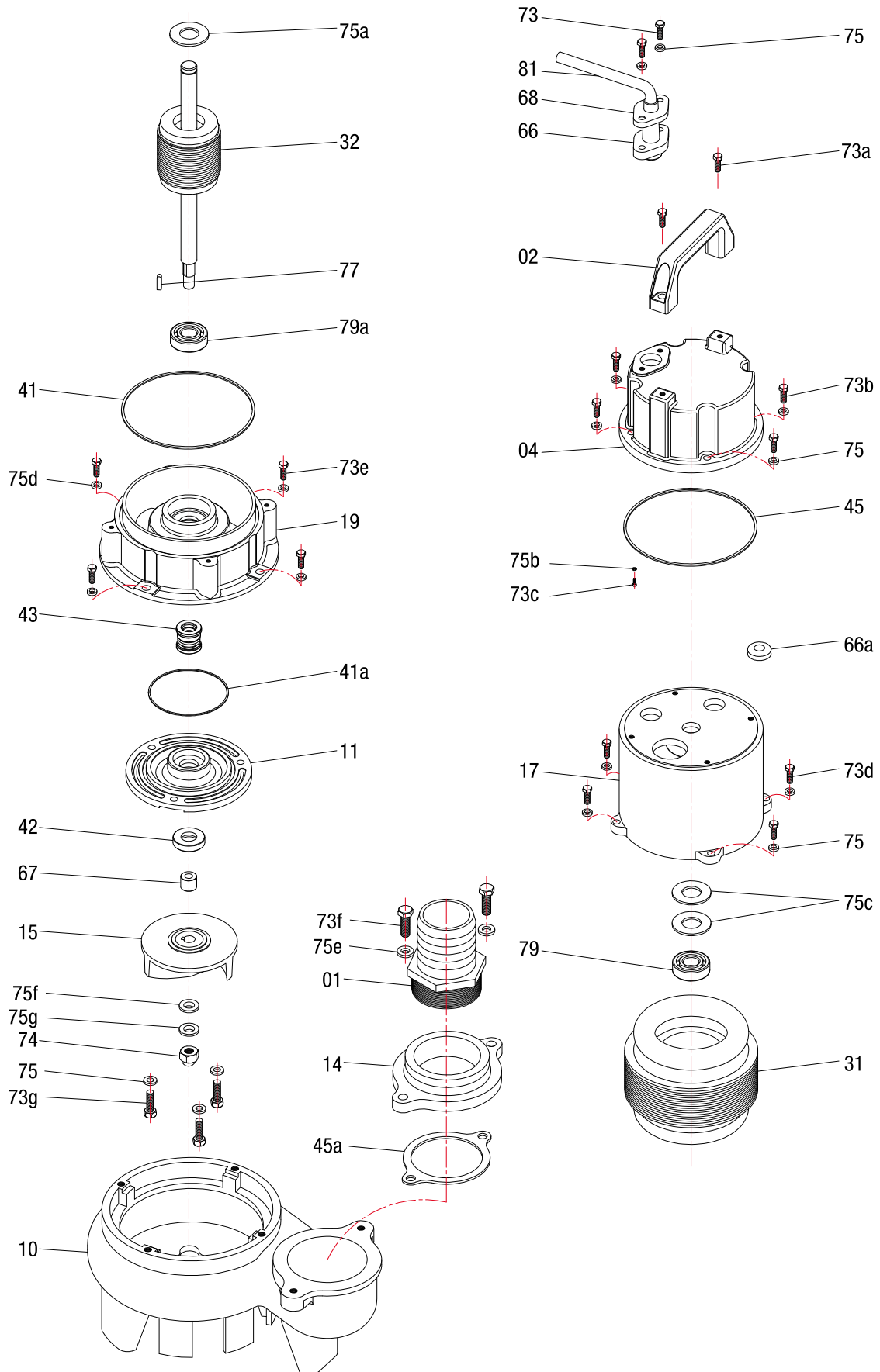


Type	A	B	C	D
LBC 315 T	462	335	166	300



Index	Code NO	Description	Q'ty	Size	Material
01	01010711	Discharge head	1	3"	Plastic
02	02012	Handle	1		Plastic
04	0436LB-0075	Upper cover	1		FC-20
10	1036LBK0150	Pump casing	1		FC-20
11	1136LB-0150	Seal bracket	1		FC-20
14	1436071	Flange	1		FC-20
15	1536LBC0150120	Impeller	1		FC-20
17	1736125170	Motor frame	1		FC-20
19	1936LB0150	Bearing bracket	1		FC-20
31	313440275F3	Stator	1	125*60*75L	
32	323K0-0150	Shaft/Rotor without Bearing	1		
41	411026-01	O'ring	1	2.62MM*120.3	N-70
41a	411031-05	O'ring	1	3.1MM*80	N-70
42	4214316-01	Oil seal	1	16MM*30*7	
43	432216-2	Mech.seal	1	Double 16-2 CM/CB/NBR VS CM/CB	
45	452LB-004010	Gasket	1		N-70
45a	455LB-015010	Gasket	1		N-70
66	66715090	Cable gland	1	9MM	NBR
66a	66415150	Wire Gasket	1		NBR
67	674315-02	Shaft sleeve	1	15*12*1.05T	SUS-304
68	68431	Gland Holder	1		SUS-304
73	73431050151	Screw	5	Flat hex.M5*16	SUS-304
73a	73433060201	Screw	2	Round crossM6*20	SUS-304
73b	73433050151	Screw	4	Round crossM5*15	SUS-304
73c	73303040081	Screw	1	Round crossM4*8	SC
73d	73432050251	Screw	4	Socket hex.M5*25	SUS-304
73e	73431060201	Screw	4	Flat hex.M6*20	SUS-304
73f	73431080251	Screw	2	Flat hex.M8*25	SUS-304
74	7414310	Nut	1	M10	SUS-304
75	753430005-01	Spring washer	13	M5	SUS-304
75a	752306203-01	Washer	1	M17*39*1T	SC
75b	757300004	Spring washer	1	M4	SC
75c	751306203	Wave washer	2	6203	SC
75d	753430006-01	Spring washer	4	M6	SUS-304
75e	752430008-01	Washer	2	M8*19*1.1T	SUS-304
75f	752430010-01	Washer	1	M10*22*1T	SUS-304
75g	753430010-01	Spring washer	1	M10	SUS-304
77	772431-01	Key	1	4*4*10	SUS-304
79	79362031	Bearing	1	6203	
79a	79362041	Bearing	1	6204	
81	8108104200112-1	Cable	1	H07RN-F 1.0*4C*20M	
77	772431-01	Key	1	4*4*10	SUS-304
79	79362031	Bearing	1	6203	
79a	79362041	Bearing	1	6204	
81	81081532004112	Cable	1	H07RN-F 1.5*3C*20M	
75h	752430014-01	Washer	1	M12*27*3T	SUS-304
75i	757300004	Spring washer	1	M4	SC
77	771432-01	Key	1	5*5*15	SUS-304
79	79363041	Bearing	1	6304	
79a	79363061	Bearing	1	6306	
81	8108104200112-1	Cable	1	H07RN-F 1.0*4C*20M	
Remarks					
		O'ring & Gasket sets	1		