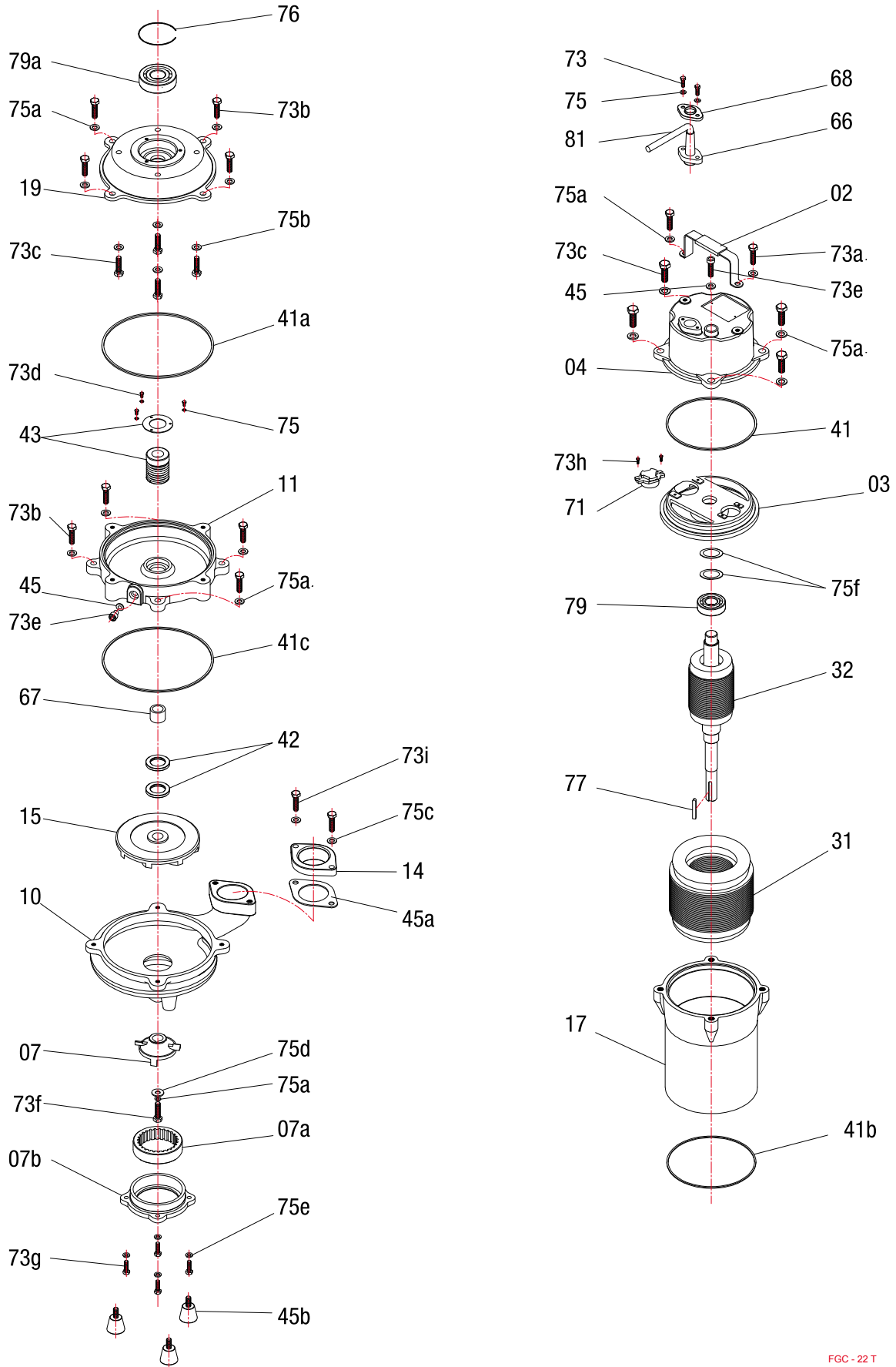


Type	A	B	C	D
FGC 22 T	512	100,5	375	260



Index	Code NO	Description	Q'ty	Size	Material
02	02435	Handle	1		SUS-304
03	0336FG1222	Switch plate	1		FC-20
04	0436BV0225	Upper cover	1		FC-20
07	0741FGC0150-2-1	Cutter	1		High Chrome Steel
07a	0741FGC0150-3	Cutter Ring	1		High Chrome Steel
07b	0736FGC0150-1	Cutter Bracket	1		FC-20
10	1036FG1222-2	Pump casing	1		FC-20
11	1136FG1222	Seal braket	1		FC-20
14	1436061A	Flange	1	2"	FC-20
15	1536FGC0225153	Impeller	1	153*18	FC-20
17	1736140205	Motor frame	1		FC-20
19	1936FG1222	Bearing bracket	1		FC-20
31	313440308F6	Stator	1	140*75*80L	
32	323FGC1522	Shaft/Rotor without Bearing	1		
41	411031-06	O'ring	1	3.1MM*144.4	N-70
41a	411031-10	O'ring	2	3.1MM*168	N-70
41b	411026-12	O'ring	1	2.62MM *133	N-70
41c	411026-03	O'ring	1	2.62MM*165	N-70
42	4214325-01	Oil seal	2	25MM*40*8	
43	432220-01	Mech.seal	1	Double 20 SIC/SIC/NBR VS CM/CB/	SIC/SIC/NBR
45	459010	Gasket	2		N-70
45a	455FS-007510	Gasket	1		N-70
45b	458FGC015010	Feet support	3		N-70
66	66715090	Cable gland	1	9MM	NBR
67	674325-01	Shaft sleeve	1	25MM*18*20H	SUS-304
68	68431	Gland Holder	1		SUS-304
71	7128-03	Thermal protector	1	KA313 GBXL103	
73	73431050151	Screw	2	Flat hex. M5*15	SUS-304
73a	73431080201	Screw	2	Flat hex. M8*20	SUS-304
73b	73431080301	Screw	8	Flat hex. M8*30	SUS-304
73c	73431080251	Screw	6	Flat hex. M8*25	SUS-304
73d	73431050121	Screw	3	Flat hex. M5*12	SUS-304
73e	73432100161	Screw	2	Socket hex. M10*16	SUS-304
73f	73432080201	Screw	1	Socket hex. M8*20	SUS-304
73g	73431060201	Screw	4	Flat hex. M6*20	SUS-304
73h	73433040121	Screw	2	Cross M4*12	SUS-304
73i	73431080351	Screw	2	Flat hex. M8*35	SUS-304
75	753430005-01	Spring washer	5	M5	SUS-304
75a	753430008-01	Spring washer	15	M8	SUS-304
75b	756300008-01	Washer	4	M8	SC
75c	752430008-01	Washer	2	M8*19*1.1T	SUS-304
75d	752430008-02	Washer	1	M8*22*2T	SUS-304
75e	753430006-01	Spring washer	4	M6	SUS-304
75f	751306306	Wave washer	2	6306	SC
76	7601-01	C'ing	1	RTW-62	
77	771432-05	key	1	5*5*32	SUS-304
79	79362041	Bearing	1	6204	
79a	79363051	Bearing	1	6305	
81	8108104200112-1	Cable	1	H07RN-F 1.0*4C*20M	
Remarks					
		O'ring & Gasket sets	1		