

PRORIL

50 Hz

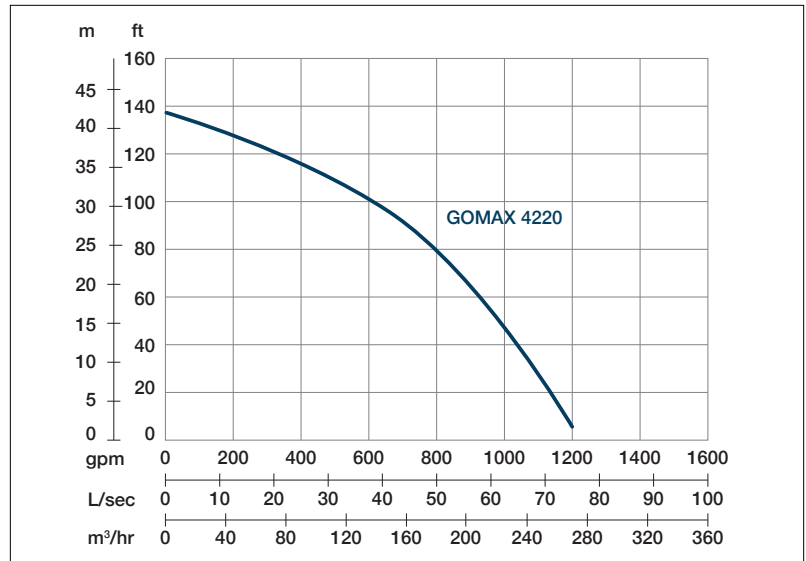
GOMAX Series, these non-clog pumps employ a single-channel enclosed impeller to efficiently and reliably transfer 76mm diameter solids without clogging. GOMAX series pumps are suitable for commercial and industrial wastewater applications.

Sewage Pump

GOMAX 4220

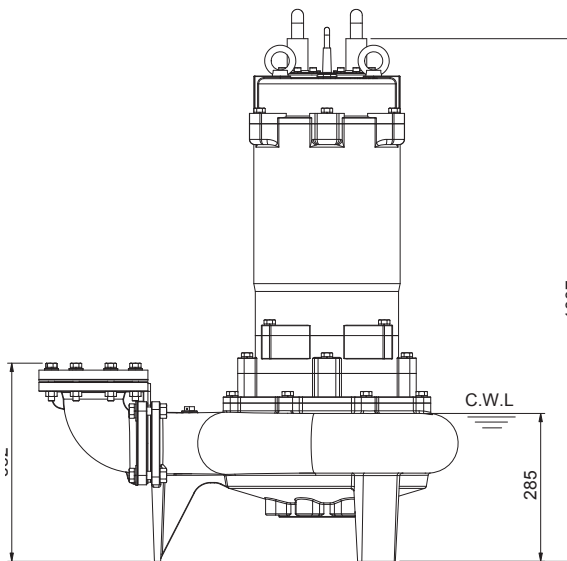
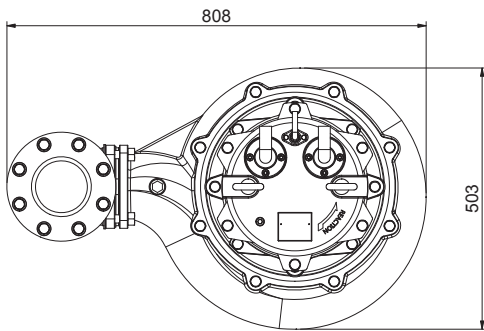
Single Channel Pump





Shaft Speed : 1450 rpm Solid Passage : 76 mm Outlet : 100mm, 4in

OUTPUT	HEAD	FLOW
22 kW	Rated : 30m, 98ft	Rated : 40 l/s, 634 gpm
30 HP	Max : 42m, 138ft	Max : 75 l/s, 1189 gpm



Weight : 256kg / 564 lbs

Pump Type		Electric Submersible Pumps
		3-Phase
Motor	Type	Induction Motor
	Poles	4 Pole
	Insulation	Class F
	Protector	Miniature Thermal Protectors
	Starter	Star-Delta
Lubricant		Food Grade (ISO VG32)
Impeller Type		Single Channel
Shaft Seal		Double Mechanical Seal
		Silicon Carbide VS Ceramic / Carbon
Bearings		C3 Shielded ball bearings
Cable		H07RNF
		Length: 10m (33ft) or longer upon request.
Materials	Pump Casing	Gray Iron
	Impeller	Gray Iron
	Motor Frame	Gray Iron
	Motor Shaft	Stainless Steel
	Mouth Ring	Copper Alloy
Max. Liquid Temperature		104°F (40°C)
Max. Submersion Depth		66ft (20m)
pH Range		pH 5 - pH 8
Accessories		GRN-04