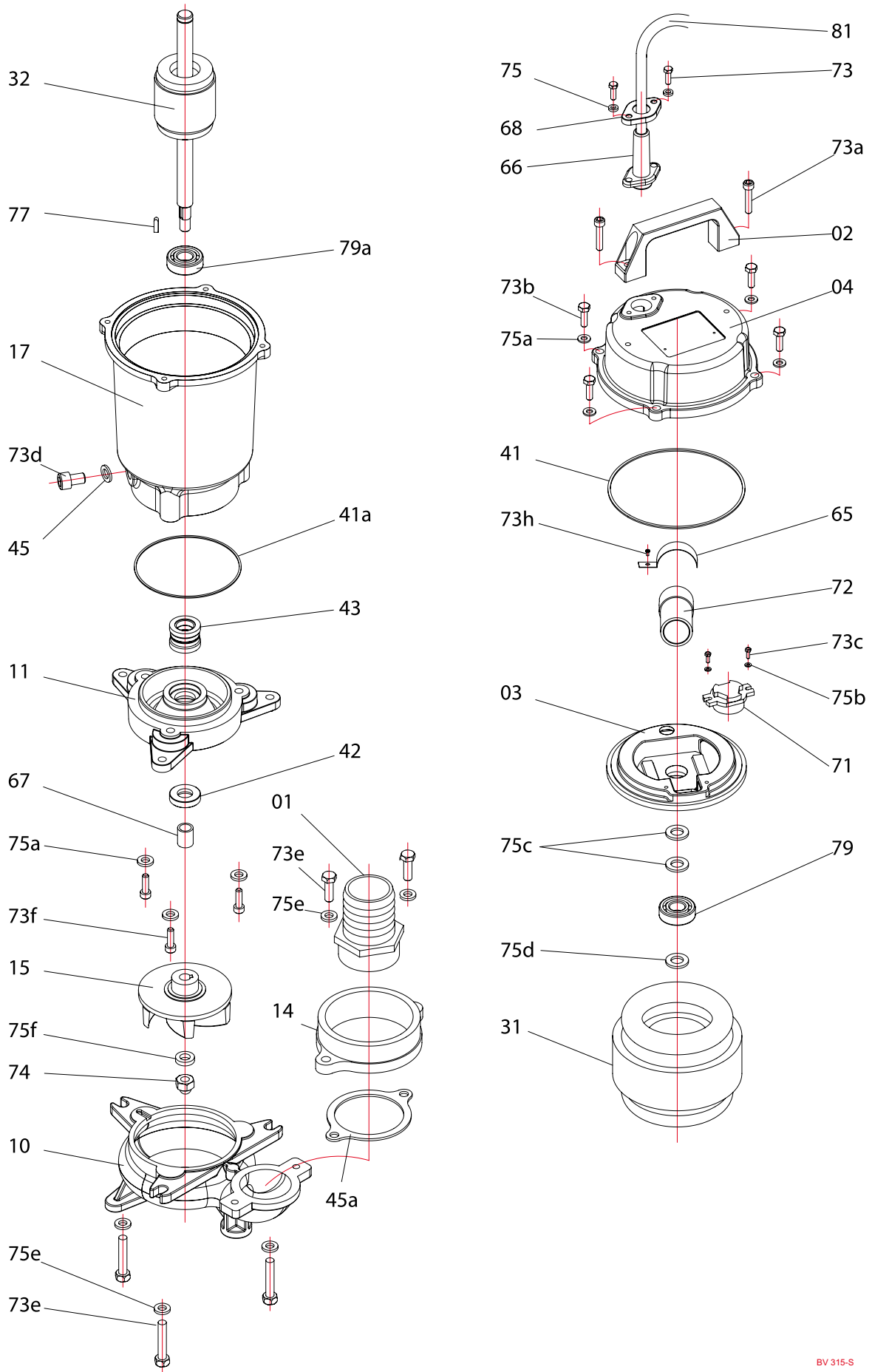


Type	A	B	C	D
BV 315 S	487	353	130	300



Index	Code NO	Description	Q'ty	Size	Material
01	01010711	Discharge head	1	3"	Plastic
02	02012	Handle	1		Plastic
03	0336KO-0150	Switch plate	1		FC-20
04	0436KO-0150	Upper cover	1		FC-20
09	0935BV-0150	Base plate	1		FCD-45
10	1036BV-0150	Pump casing	1		FC-20
11	1136BV-0150	Seal bracket	1		FC-20
14	1436071	Flange	1	3"	FC-20
15	1536LBV0150118	Impeller	1	118*12	FC-20
17	1736125205B	Motor frame	1		FC-20
31	311240209F3-B	Stator	1	125*60*90L	
32	321KO-0150	Shaft/Rotor without Bearing	1		
41	411035-06	O'ring	1	3.5MM*130	N-70
41a	411031-15	O'ring	1	3.1MM*90	N-70
42	4214316-01	Oil seal	1	16MM*30*7	
43	432216-1	Mech.seal	1	Double 16-1 SIC/SIC VS CM/CB	
45	459010	Gasket	1		N-70
45a	455LB-015010	Gasket	1		N-70
64	64901123A	Insulating sheet	1		
65	65312	Shim	1		
66	66715085	Cable gland	1		NBR
66a	66415150	Cable gland	1		NBR
67	674315-02	Shaft sleeve	1	15MM*12*1.05T	SUS-304
68	68431	Gland holder	1		SUS-304
71	7127-02	Thermal protector	1		
72	721400030	Capacitor	1		
73	73431050151	Screw	2	Flat hex. M5*16	SUS-304
73a	73433060201	Screw	2	Round cross M6*20	SUS-304
73b	73431060201	Screw	4	Flat hex. M6*20	SUS-304
73c	73433040121	Screw	2	Cross M4*12	SUS-304
73d	73432100161	Screw	1	Socket hex. M10*16	SUS-304
73e	73431080251	Screw	5	Flat hex. M8*25	SUS-304
73f	73432060201	Screw	3	Socket hex. M6*20	SUS-304
73g	73303040081	Screw	1	Round cross M4*8	SC
73h	73431060151	Screw	3	Flat hex. M6*15	SUS-304
74	7424310	Nut	1	M10	SUS-304
75	753430005-01	Spring washer	2	M5	SUS-304
75a	753430006-01	Spring washer	10	M6	SUS-304
75b	751306203	Wave washer	2	6203	SC
75c	752306203-01	Washer	1	M17*39*1T	SC
75d	752430008-01	Washer	5	M8*19*1.1T	SUS-304
75e	757300004	Spring washer	1	M4	SC
75f	752430010-01	Washer	1	M10*22*1T	SUS-304
75g	753430010-01	Spring washer	1	M10	SUS-304
77	772431-01	Key	1	4*4*10	SUS-304
79	79362031	Bearing	1	6203	
79a	79362041	Bearing	1	6204	
81	81081532004112-1	Cable	1	H07RN-F,1.5*3C*20M	
Remarks					
		O'ring & Gasket sets	1		