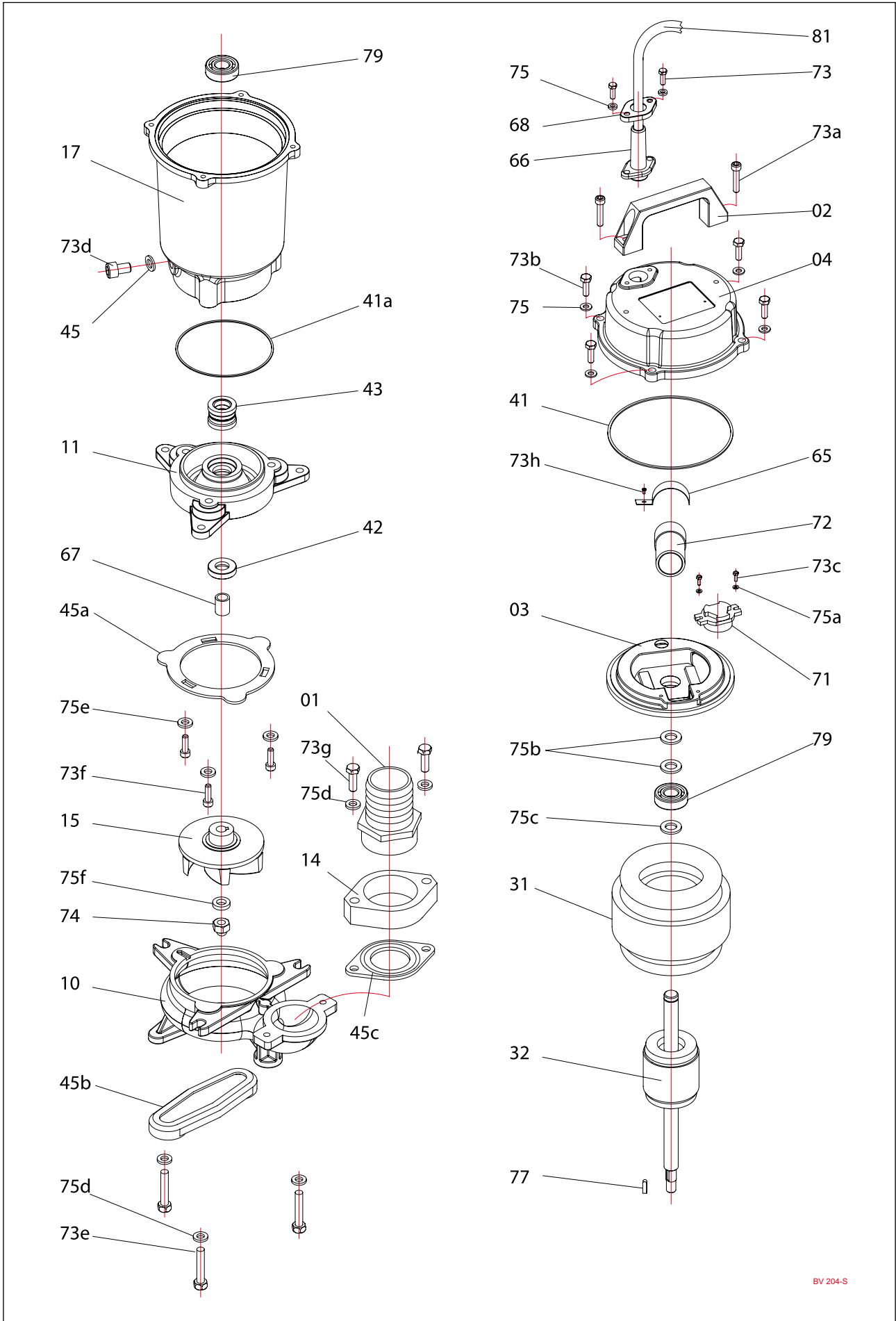


Type	A	B	C	D
BV-204 S	385	285	80	220



Index	Code NO	Description	Q'ty	Size	Material
01	01010611	Discharge head	1	2"	Thermal plastic
02	02012	Handle	1		Thermal plastic
03	0336KO-0075	Switch plate	1		FC-20
04	0436KO-0040	Upper cover	1		FC-20
10	1036BV-0040	Pump casing	1		FC-20
11	1136BV-0040	Seal bracket	1		FC-20
14	1436061A	Flange	1	2"	FC-20
15	1536BV-0040082	Impeller	1	82*40* 6*11	FC-20
17	1736125180	Moter frame	1	125*180H	FC-20
31	311240204E3-B	Stator	1	125*60*40L 230V	
32	321KO-0040	Shaft/Rotor (without Bearing)	1	125*60*40L	
41	411035-01	O'ring	1	3.5MM*133	N-70
41a	411031-15	O'ring	1	3.1MM*90	N-70
42	4214316-01	Oil seal	1	16MM*20*5	SUS-304
43	432214-4	Mech. seal	1	Double 14-4 SIC/SIC VS CE/CA	
45	459010	Gasket	1		N-70
45a	453BV-004010	Volute liner	1		N-70
45b	458BV-007510	Gasket	1		N-70
45c	455LB-007510	Gasket	1		N-70
65	65312	Shim	1	57MM	
66	66715085	Cable gland	1		
67	674315-01	Shaft sleeve	1	15mm*11*1.05T	SUS-304
68	68431	Gland holder	1		SUS-304
71	7127-03	Thermal protector	1	KA112 BBXL04	
72	721350015	Capacitor	1	350V*15UF	
73	73431050151	Screw	2	Flat hex. M5*16	SUS-304
73a	73433060201	Screw	2	Round cross M6*20	SUS-304
73b	73431050201	Screw	4	Flat hex. M5*20	SUS-304
73c	73303040121	Screw	2	Round cross M4*12	SC
73d	73432100161	Screw	1	Socket hex. M10*16	SUS-304
73e	73431080251	Screw	3	Flat hex. M8*25	SUS-304
73f	73432060201	Screw	3	Socket hex. M6*20	SUS-304
73g	73431080351	Screw	2	Flat hex. M8*35	SUS-304
73h	73303040081	Screw	1	Round cross M4*8	SC
74	7424308	Nut	1	M10	SUS-304
75	753430005-01	Spring washer	6	M5	SUS-304
75a	752300004-01	Washer	2	M4	SC
75b	751306202	Wave washer	2	6202	SC
75c	752306202-01	Washer	1	6202	SC
75d	752430008-01	Washer	5	M8*19*1.1T	SUS-304
75e	753430006-01	Spring washer	3	M6	SUS-304
75f	753430010-01	Spring washer	1	M10	SUS-304
77	772431-01	Key	1	4*4*10	SUS-304
79	79362021	Bearing	2	6202	
81	81081031004142	Cable	1	H07RN-F 1.0*3C*10M	
Remarks					
		O'ring & Gasket sets	1		